

# LED EDGELIT

## EXIT SIGN

### IMPORTANT SAFEGUARDS

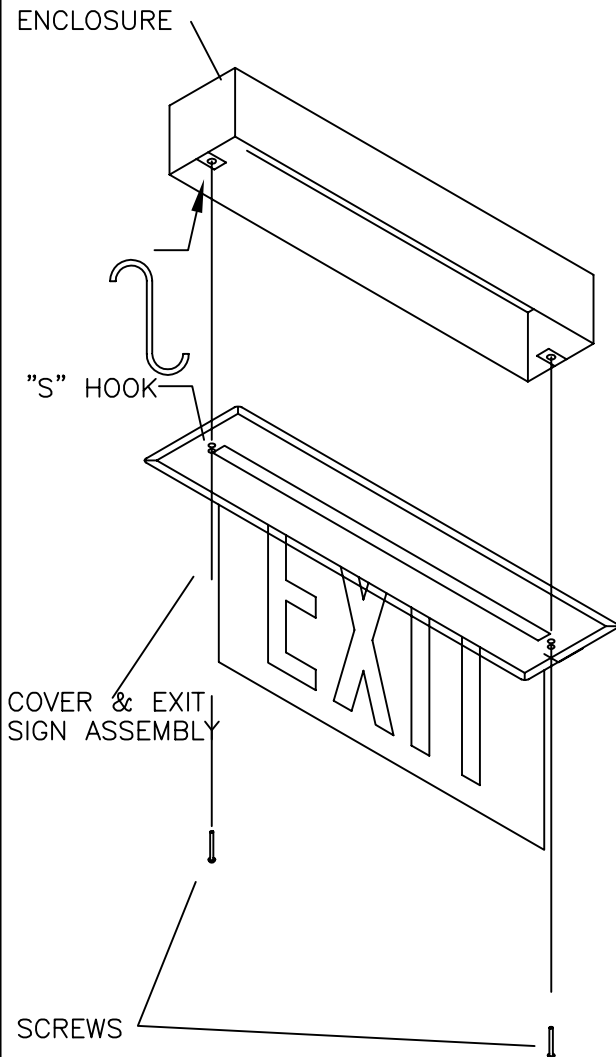
WHEN USING ELECTRICAL EQUIPMENT, BASIC SAFETY PRECAUTIONS SHOULD ALWAYS BE FOLLOWED INCLUDING THE FOLLOWING:

### READ AND FOLLOW ALL SAFETY INSTRUCTIONS

- 1) DO NOT USE OUTDOORS.
- 2) DO NOT LET POWER SUPPLY CORDS TOUCH HOT SURFACES.
- 3) DO NOT MOUNT NEAR GAS OR ELECTRIC HEATERS.
- 4) USE CAUTION WHEN SERVICING BATTERIES. BATTERY ACID CAN CAUSE BURNS TO SKIN AND EYES. IF ACID IS SPILLED ON SKIN OR IN EYES FLUSH WITH FRESH WATER AND CONTACT PHYSICIAN IMMEDIATELY.
- 5) EQUIPMENT SHOULD BE MOUNTED IN LOCATIONS AND AT HEIGHTS WHERE IT WILL NOT BE READILY SUBJECTED TO TAMPERING BY UNAUTHORIZED PERSONNEL.
- 6) THE USE OF ACCESSORY EQUIPMENT NOT RECOMMENDED BY THE MANUFACTURER MAY CAUSE AN UNSAFE CONDITION.
- 7) DO NOT USE THIS EQUIPMENT FOR OTHER THAN INTENDED USE.
- 8) CAUTION: SEALED LAMPS MAY HAVE INNER HALOGEN CYCLE BULB. THIS PRESSURE FILLED INNER BULB COULD SHATTER IF SCRATCHED OR DAMAGED. IF THE OUTER SEALED BEAM IS INTACT, THIS WILL BE NO PROBLEM. IF THE OUTER SEALED ENVELOPE IS BROKEN DO NOT OPERATE BUT REMOVE AND DISPOSE OF LAMP WITH CARE.

### SAVE THESE INSTRUCTIONS

### INSTALLATION INSTRUCTIONS:



- 1) Make sure AC power is off while installing the unit.
- 2) Prepare the ceiling or wall opening to accept the enclosure (15.25" x 2.88") Recessed units only.
- 3) Unscrew the cover and EXIT sign assembly. Carefully put it aside, making sure not to scratch EXIT panel.
- 4) Install the support brackets (Not shown. For Recessed units only.) in the pemed ends of the enclosure using wing nuts provided. Adjust them for the correct height necessary to recess the enclosure in the opening.
- 5) Mount the enclosure in the opening and route unswitched AC wires to the unit through the hole in the bottom of the enclosure.
- 6) Gently install one end of "S" hook into one mounting hole of enclosure. Install other end of "S" hook into cover mounting hole.
- 7) Connect the AC wires. Connect the black wire to 120 VAC and the white wire to neutral. For 277 VAC connect the violet wire to 277 VAC and the white wire to neutral. Place a wire nut on the unused black (120V) or violet (277V) wire
- 8) Ground the unit in accordance with the requirements of the National Electrical Code using the green ground wire provided.
- 9) If you have a battery backup unit make the battery connection. Also make switch and LED connection.
- 10) Remove "S" hook and replace cover and EXIT sign assembly. Tighten two cover screws.
- 11) Turn on the AC power.
- 12) For battery backup units: Allow the battery to charge for 24 hours. Press the test switch. Led lamps will momentarily blink and then illuminate during the test.

NOTE : SERVICING SHOULD BE PERFORMED BY QUALIFIED SERVICE PERSONNEL.